

Technical data sheet

Product features



Induction stove digital 4 zones

Model	SAP Code	00013594
PCID-88ETD	A group of articles - web	Stoves



- Device type: Electric unit
- Power consumption of the zone 1 [kW]: 5
- Power consumption of the zone 2 [kW]: 5
- Power consumption of the zone 3 [kW]: 5
- Power consumption of the zone 4 [kW]: 5
- Protection of controls: IPX5
- Material: AISI 304 top plate and cladding

SAP Code	00013594	Number of zones	4
Net Width [mm]	800	Power consumption of the zone 1 [kW]	5
Net Depth [mm]	800	Power consumption of the zone 2 [kW]	5
Net Height [mm]	310	Power consumption of the zone 3 [kW]	5
Net Weight [kg]	43.00	Power consumption of the zone 4 [kW]	5
Power electric [kW]	20.000	Ceramic glass dimensions [mm]	750 x 770
Loading	400 V / 3N - 50 Hz		

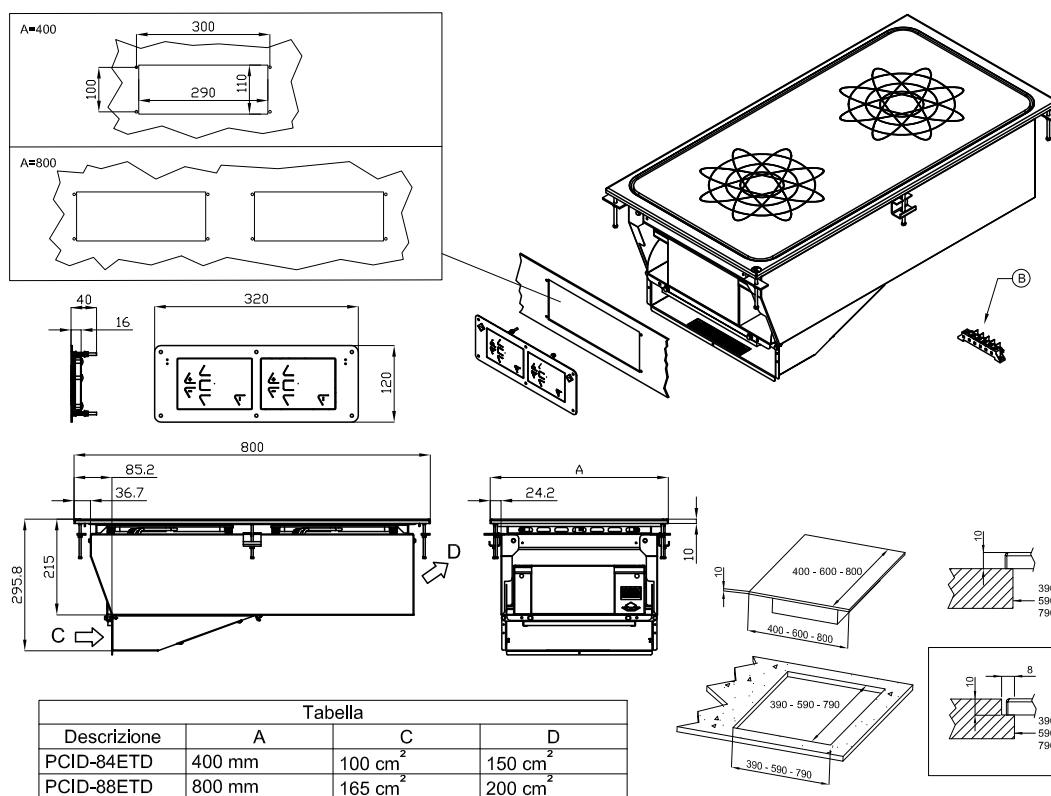
Technical data sheet

Technical drawing



Induction stove digital 4 zones

Model	SAP Code	00013594
PCID-88ETD	A group of articles - web	Stoves



A	Data plate		B	Electrical connection	
---	------------	--	---	-----------------------	--

Technical data sheet

Technical parameters



Induction stove digital 4 zones

Model	SAP Code	00013594
PCID-88ETD	A group of articles - web	Stoves

1. SAP Code:

00013594

2. Net Width [mm]:

800

3. Net Depth [mm]:

800

4. Net Height [mm]:

310

5. Net Weight [kg]:

43.00

6. Gross Width [mm]:

830

7. Gross depth [mm]:

970

8. Gross Height [mm]:

540

9. Gross Weight [kg]:

50.00

10. Device type:

Electric unit

11. Construction type of device:

Drop-in

12. Power electric [kW]:

20.000

13. Loading:

400 V / 3N - 50 Hz

14. Protection of controls:

IPX5

15. Material:

AISI 304 top plate and cladding

16. Worktop type:

Molded - comfortable cleaning maintenance

17. Worktop Thickness [mm]:

2.00

18. Number of zones:

4

19. Power consumption of the zone 1 [kW]:

5

20. Power consumption of the zone 2 [kW]:

5

21. Power consumption of the zone 3 [kW]:

5

22. Power consumption of the zone 4 [kW]:

5

23. Power control type:

digital

24. Number of power control stages:

6

25. Service accessibility:

From the front by removing the front panel and waste fluid containers

26. Number of burners/hot plates:

4

27. Type of electric cooking zones:

Induction

28. Ceramic glass dimensions [mm]:

750 x 770

Technical data sheet

Technical parameters



Induction stove digital 4 zones

Model	SAP Code	00013594
PCID-88ETD	A group of articles - web	Stoves

29. Cross-section of conductors CU [mm²]:

10

31. Load capacity [kg]:

60

30. Glass-ceramic top thickness [mm]:

6